



RANGES WITH GRIDDLES (LIQUID PROPANE)

CONTACT US:

Customer Service:
+1 (786) 5847439

Sales Team:
+1 (786) 8602528

Email:
sales@lfsusa.store

www.lfsusa.store

COMPETITOR SERIES®

C-RO-36-LP
C-RO2-24GL-LP
C-RO4-12GL-LP
C-RO4-24GL-LP
C-RO6-24GL-LP

RANGES WITH GRIDDLES (LIQUID PROPANE)

- High polished, stainless steel exterior
- 23,000 BTU/Hr rating per burner
- Heavy duty cast iron removable trivets
- Porcelain enamel over steel oven interior
- 3/4" thick polished steel griddle cooking surface for quick, even heating
- Beautiful ergonomic design and easy to clean
- Chrome temperature knobs & oven handle
- Adjustable temperature oven knobs
- Standard with 6" casters (2x locking)
- Adjustable oven shelf
- Safety pilot oven shut-off, high limit switch
- Manual ignition of burners
- Valve type: Pilot lit, continuously on
- All burners and gas tubing are constructed of stainless steel
- Migali Industries® Protection Plan: 2 Year Parts & Labor Warranty

MODEL	BURNERS	TOTAL BTU	BTU PER BURNER	OVEN BTU/H	GRIDDLE BTU/H	IN TAKE TUBE PRES-SURE (W.C.)	NOZZLE NO. NATURAL GAS	GRIDDLE WORK SURFACE W X D	BURNER WORK SURFACE W X D	NO. OF OVENS & INTERIOR DIMENSIONS W X D X H	EXTERIOR DIMENSIONS W X D X H*	PACKAGED DIMENSIONS W X D X H	WEIGHT	PACKAGED WEIGHT
C-RO-36G-LP	0	102,000	N/A	27,000	(2) U-Shape - 27,000 (1) I-Shape - 21,000	10	(1) Oven - LP52 (2) Griddle U-Shape LP52 (1) Griddle I-Shape - LP54	36 x 20.6 Full Length	N/A	(1) Oven 26.5 x 26 x 14	36 x 32.6 x 56.4	39.2 x 41.9 x 41.3	487 lbs.	615 lbs.
C-RO2-24GL-LP	2	121,000	23,000	27,000	(1) U-Shape - 27,000 (1) I-Shape - 21,000	10	(2) Hotplate - LP54 (1) Oven - LP52 (1) Griddle U-Shape - LP52 (1) Griddle I-Shape - LP54	24 x 20.6 Left Side	11.8 x 11.8	(1) Oven 26.5 x 26 x 14	36 x 32.6 x 56.4	39.2 x 41.9 x 41.3	463 lbs.	600 lbs.
C-RO4-12GL-LP	4	140,000	23,000	27,000	(1) I-Shape - 21,000	10	(4) Hotplate - LP54 (1) Oven - LP52 (1) Griddle I-Shape - LP54	12 x 20.6 Left Side	11.8 x 11.8	(1) Oven 26.5 x 26 x 14	36 x 32.6 x 56.4	39.2 x 41.9 x 41.3	437 lbs.	583 lbs.
C-RO4-24GL-LP	4	188,000	23,000	(2) Ovens / Each - 24,000	(1) U-Shape - 27,000 (1) I-Shape - 21,000	10	(4) Hotplate - LP54 (2) Oven - LP53 (1) Griddle U-Shape - LP52 (1) Griddle I-Shape - LP54	24 x 20.6 Left Side	11.8 x 11.8	(2) Ovens 20 x 26 x 14	48 x 32.6 x 56.4	51.2 x 41.9 x 41.3	591 lbs.	803 lbs.
C-RO6-24GL-LP	6	240,000	23,000	(2) Ovens / Each - 27,000	(1) U-Shape - 27,000 (1) I-Shape - 21,000	10	(6) Hotplate - LP54 (2) Oven - LP52 (1) Griddle U Shape - LP52 (1) Griddle I shape - LP54	24 x 20.6 Left Side	11.8 x 11.8	(2) Ovens 26.5 x 26 x 14	60 x 32.6 x 56.4	63.2 x 41.9 x 41.3	734 lbs.	927 lbs.

*Total height with stainless steel back splash and top shelf

NOTE: Altitudes over 2,000 feet may need high latitude orifice adjustments to deliver BTU output listed

FOR COMMERCIAL USE ONLY

NOTE: MIGALI® RESERVES THE RIGHT TO CHANGE SPECIFICATIONS WITHOUT NOTICE



TOLL FREE: 800.852.5292
WEB: www.migali.com



Complies to ANSI Z39.22
110-2000 (2011), NSF ANSI Z75.4
& CEA Z75.1 (NSF 331)



DIMENSIONAL DRAWINGS

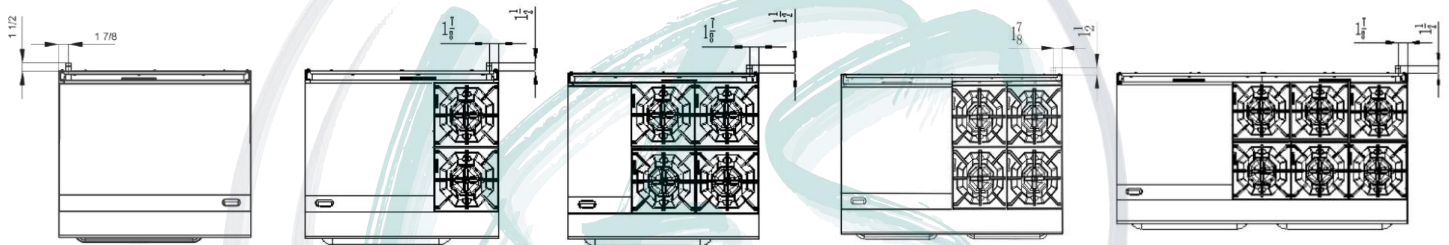
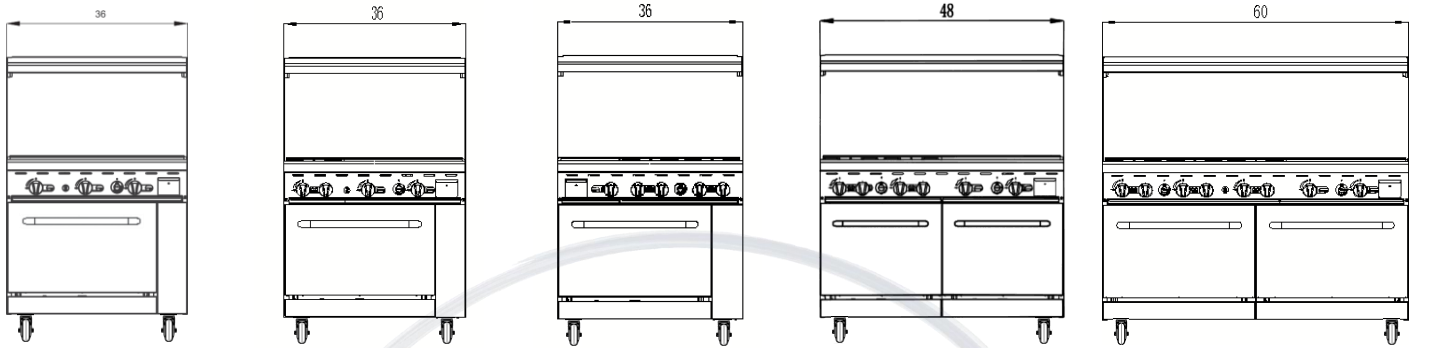
C-RO2-24GL-LP

C-RO4-12GL-LP

C-RO4-24GL-LP

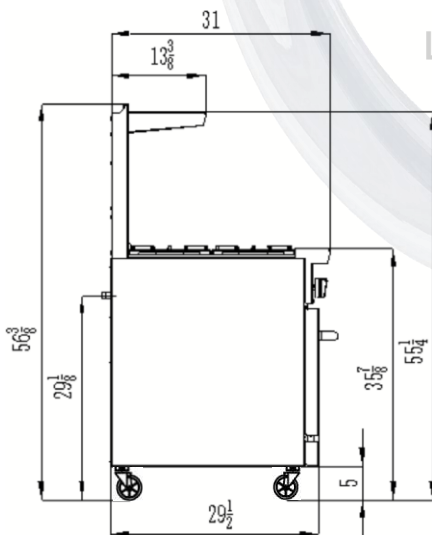
C-RO-36-LP

C-RO6-24GL-LP



Latam Food Service

SIDE VIEW



MIGALI[®] REMAINS AN AMERICAN FAMILY COMPANY SINCE 1955