



STANDARD TOP SANDWICH PREPARATION TABLES

CONTACT US:

Customer Service:
+1 (786) 5847439

Sales Team:
+1 (786) 8602528

Email:
sales@lfsusa.store

www.lfsusa.store

PROJECT: _____
 LOCATION: _____
 ITEM#: _____
 QUANTITY: _____


C-SP27-8-HC

C-SP48-12-HC

C-SP60-16-HC

C-SP72-18-HC

STANDARD TOP SANDWICH PREPARATION TABLES

- Beautiful ergonomic construction & rounded corners
- Digital Controller with Temperature Read-out
- All stainless steel exterior and interior
- Forced air refrigeration system
- 9^{1/4"} deep cutting board included
- Recessed door handles
- Pre-installed casters and shelving
- 90 degree hold open door feature for loading products
- All Natural R290 Hydrocarbon Refrigerant
- US Department of Energy Certified
- Migali Industries® Protection Plan: 1 Year Parts & Labor Warranty, 5 Years Compressor Warranty

MODEL	DOORS	NUM. OF (1/6) SIZE PANS*	CAPACITY CU/FT	SHELVES	H/P	AMPS	VOLTAGE	ENERGY CONSUMPTION KWH/24 HR	PLUG TYPE	TEMP RANGE	EXTERIOR DIMENSIONS W X D X H*	INSIDE DIMENSIONS W X D X H**	PACKAGED DIMENSIONS W X D X H**	WEIGHT	PACKAGED WEIGHT
C-SP27-8-HC	1	8	6.5	1	1/4	3.3	115/60/1	1.6	Nema 5-15P	+33° F (-) +41° F	27.5" x 30" x 44.3"	23.9" x 23.6" x 26.7"	30" x 33" x 46"	185 lbs.	193 lbs.
C-SP48-12-HC	2	12	12	2	1/3	5.1	115/60/1	1.9	Nema 5-15P	+33° F (-) +41° F	48.2" x 30" x 44.3"	44.7" x 23.6" x 26.7"	51" x 33" x 46"	242 lbs.	270 lbs.
C-SP60-16-HC	2	16	18.2	2	1/2	5.1	115/60/1	2.1	Nema 5-15P	+33° F (-) +41° F	60.2" x 30" x 44.3"	56.7" x 23.6" x 26.7"	64" x 33" x 46"	294 lbs.	307 lbs.
C-SP72-18-HC	3	18	24.5	3	1/2	5.7	115/60/1	2.3	Nema 5-15P	+33° F (-) +41° F	72.7" x 30" x 44.3"	56.7" x 23.6" x 26.7"	75" x 33" x 46"	375 lbs.	366 lbs.

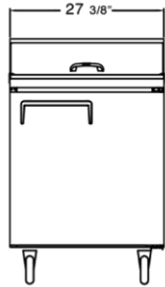
* Pans are not included

** Total height includes casters

NOTE: MIGALI® RESERVES THE RIGHT TO CHANGE SPECIFICATIONS WITHOUT NOTICE

DIMENSIONAL DRAWINGS

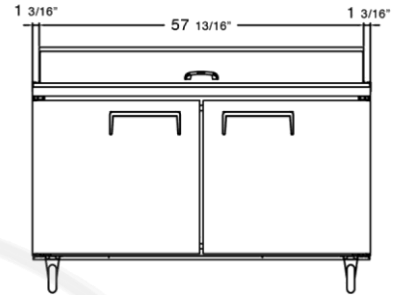
C-SP27-8-HC



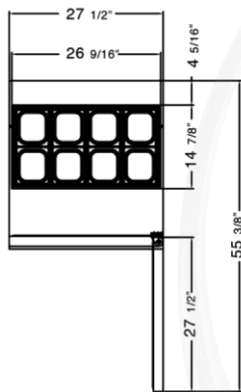
C-SP48-12-HC



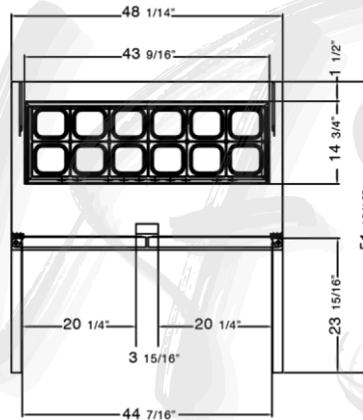
C-SP60-16-HC



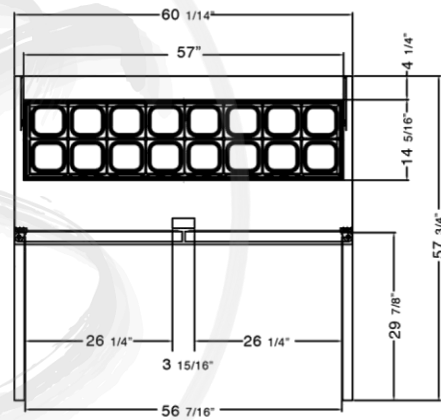
**C-SP27-8-HC
TOP VIEW**



**C-SP48-12-HC
TOP VIEW**

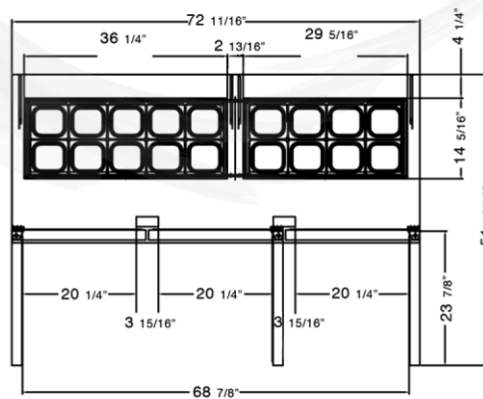
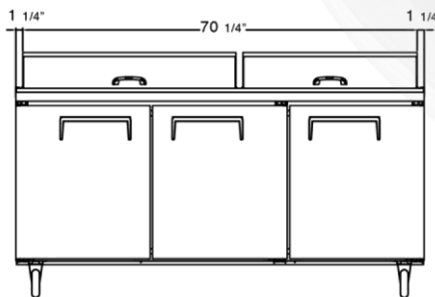


**C-SP60-16-HC
TOP VIEW**

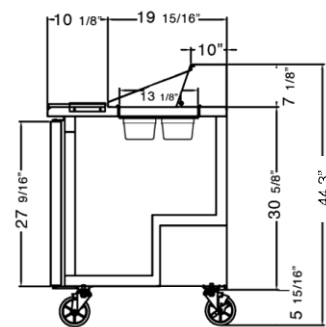


C-SP72-18-HC

Latam Food Service
C-SP72-18-HC TOP VIEW



SIDE VIEW(1,2,3)



Migali®

MIGALI® REMAINS AN AMERICAN FAMILY COMPANY SINCE 1955