



SHOWCASE DISPLAY COLLECTION

LFSUSA.STORE



FLOOR STANDING SHOWCASE REFRIGERATOR



- ITO heating glass, anti-condensation, energy saving and better visual effect
- Improved air cooling system ensuring effective air circulation
- Equipped with both baked castors and adjustable feet
- Automatic defrost function ensuring the evaporator working perfectly
- Automatic vaporizing the defrost water with the heat of discharge pipe of compressor
- Hang type ventilation grill, easy to remove for regular maintenance
- Patented semi frequency conversion technique, using electronic expansion valve with own control system, could adjust the parameter to reach to the optimal working performance automatically and save 30% energy consumption



Warm white or cool white LED lights illumination, perfectly displaying food, avoiding glaring



High quality imported compressor and fan motor, energy saving, lower noise, and longer lifetime



Smart precise digital controller with large LCD display



Improved door track and imported high quality bearing, easily using for sliding doors, smoothly and lower noise



Independent electric board cooling system could be taken out easily for replacement or maintenance

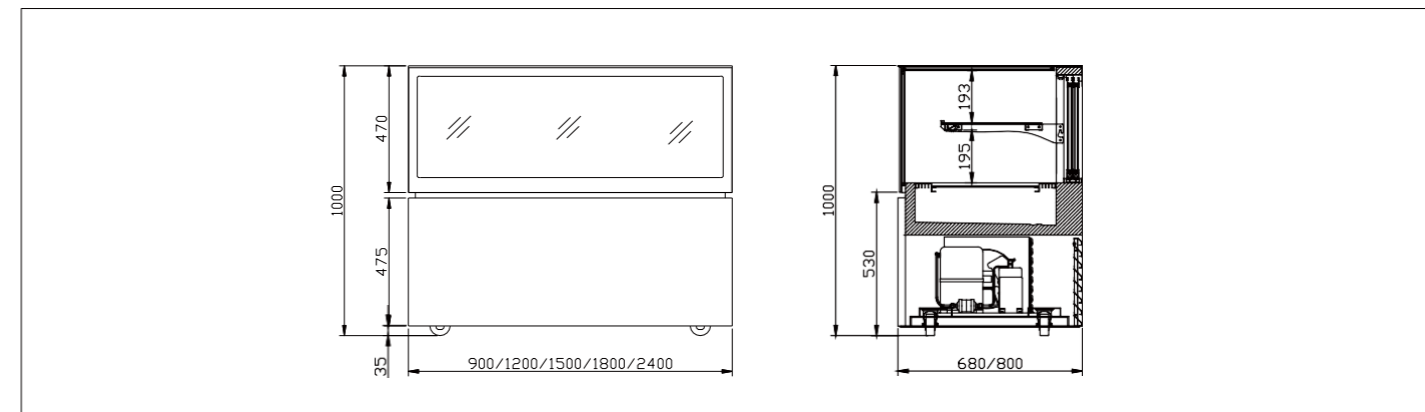


FLOOR STANDING SHOWCASE REFRIGERATOR

TECHNICAL DATA

Model	NLR730V	NLR740V	NLR750V	NLR760V	NLR780V	NLR830V	NLR840V	NLR850V	NLR860V	NLR880V
Temp Range	2°C~ 8°C									
Capacity (L)	190	260	325	395	530	235	315	400	480	645
Rating Power (W)	865	1075	1095	1295	1420	885	1095	1115	1315	1440
Climate Class	4/5/7									
External Dimension (mm)										
Width	900	1200	1500	1800	2400	900	1200	1500	1800	2400
Depth	680					800				
Height	1000					1000				
Packing Size (mm)										
Width	985	1285	1585	1885	2485	985	1285	1585	1885	2485
Depth	765					885				
Height	1130					1130				
Weight (kgs)										
Net Weight	153	190	222	255	291	171	210	245	275	314
Gross Weight	181	224	261	300	346	202	247	287	323	372
Shelves	2									
Refrigerant										
Type	R290									
Door Opening Direction	Back sliding doors (front doors for options)									
Shipping										
Qty/20GP	34	24	20	18	12	24	20	14	12	8
Qty/40HQ	72	54	44	36	24	52	44	30	26	16

Optional Refrigerant : R134a





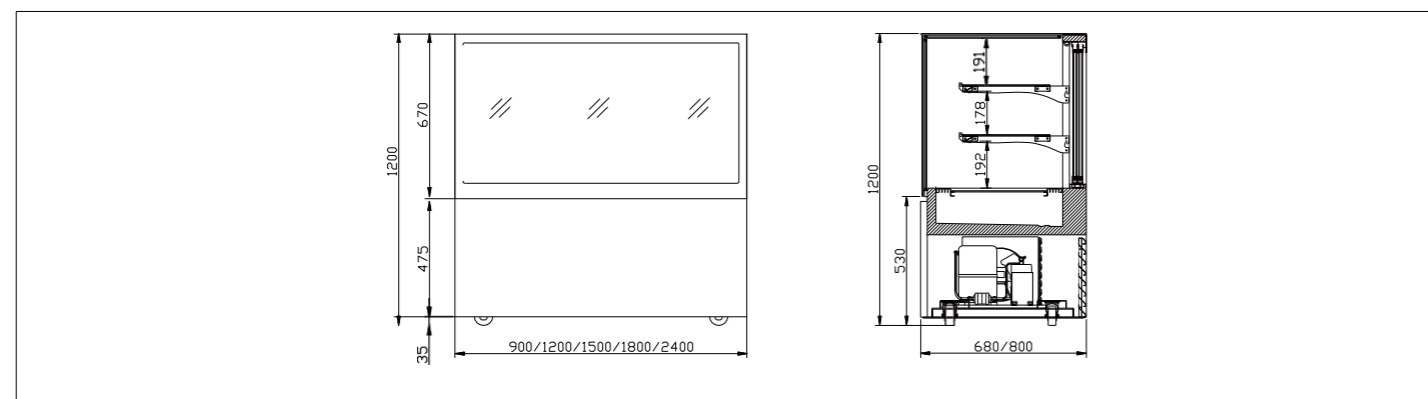
FLOOR STANDING SHOWCASE REFRIGERATOR

TECHNICAL DATA



Model	NR730V	NR740V	NR750V	NR760V	NR780V	NR830V	NR840V	NR850V	NR860V	NR880V
Temp Range	2°C~ 8°C									
Capacity(L)	285	385	485	585	790	350	470	595	715	965
Rating Power (W)	890	1100	1120	1320	1450	910	1120	1140	1340	1470
Climate Class	4/5/7									
External Dimension (mm)										
Width	900	1200	1500	1800	2400	900	1200	1500	1800	2400
Depth	680					800				
Height	1200					1200				
Packing Size (mm)										
Width	985	1285	1585	1885	2485	985	1285	1585	1885	2485
Depth	765					885				
Height	1330					1330				
Weight (kgs)										
Net Weight	174	215	254	291	331	194	234	279	314	356
Gross Weight	204	251	297	340	391	227	273	325	366	419
Shelves	3									
Refrigerant										
Type	R290									
Door Opening Direction	Back sliding doors (front doors for options)									
Shipping										
Qty/20GP	17	12	10	9	6	12	10	7	6	4
Qty/40HQ	72	54	44	36	24	52	44	30	26	16

Optional Refrigerant : R134a



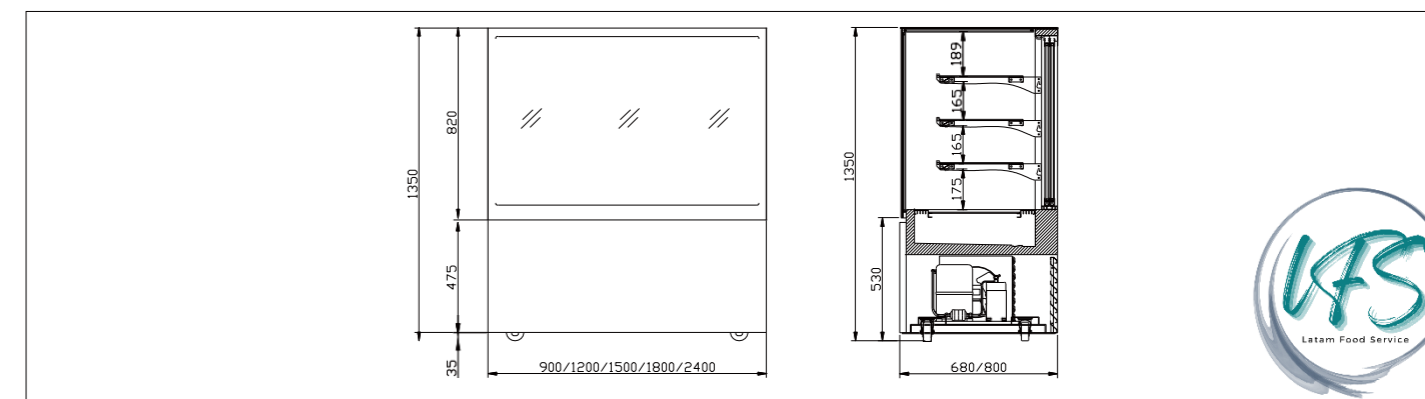
FLOOR STANDING SHOWCASE REFRIGERATOR

TECHNICAL DATA



Model	NSR730V	NSR740V	NSR750V	NSR760V	NSR780V	NSR830V	NSR840V	NSR850V	NSR860V	NSR880V
Temp Range	2°C~ 8°C									
Capacity(L)	355	480	605	735	985	435	590	740	890	1200
Rating Power (W)	910	1120	1140	1340	1460	930	1140	1160	1360	1480
Climate Class	4/5/7									
External Dimension (mm)										
Width	900	1200	1500	1800	2400	900	1200	1500	1800	2400
Depth	680					800				
Height	1350					1350				
Packing Size (mm)										
Width	985	1285	1585	1885	2485	985	1285	1585	1885	2485
Depth	765					885				
Height	1500					1500				
Weight (kgs)										
Net Weight	196	239	280	319	361	218	264	307	344	388
Gross Weight	229	279	326	371	426	254	307	356	399	456
Shelves	4									
Refrigerant										
Type	R290									
Door Opening Direction	Back sliding doors (front doors for options)									
Shipping										
Qty/20GP	17	12	10	9	6	12	10	7	6	4
Qty/40HQ	36	27	22	18	12	26	22	15	13	8

Optional Refrigerant : R134a

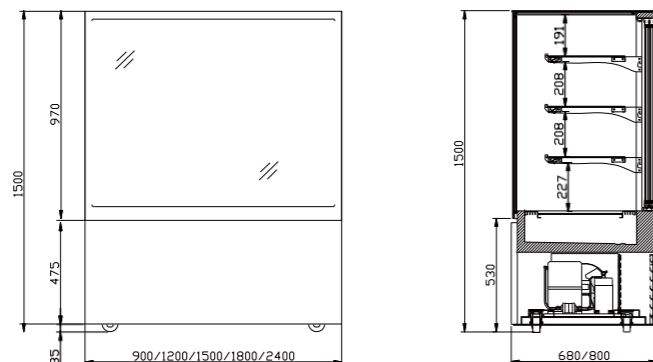




FLOOR STANDING SHOWCASE REFRIGERATOR

TECHNICAL DATA

Model	NGR730V	NGR740V	NGR750V	NGR760V	NGR780V	NGR830V	NGR840V	NGR850V	NGR860V	NGR880V
Temp Range	2°C~ 8°C									
Capacity(L)	430	580	730	880	1180	520	700	890	1070	1435
Rating Power(W)	1030	1130	1210	1280	1410	1055	1155	1235	1305	1420
Climate Class	4/5/7									
External Dimension (mm)										
Width	900	1200	1500	1800	2400	900	1200	1500	1800	2400
Depth	680					800				
Height	1500					1500				
Packing Size (mm)										
Width	985	1285	1585	1885	2485	985	1285	1585	1885	2485
Depth	765					885				
Height	1630					1630				
Weight (kgs)										
Net Weight	211	256	298	337	378	235	283	327	364	401
Gross Weight	246	299	347	393	448	273	329	379	423	480
Shelves	4									
Refrigerant										
Type	R134a				R404a	R134a			R404a	
Door Opening Direction	Back sliding doors (front doors for options)									
Shipping										
Qty/20GP	17	12	10	9	6	12	10	7	6	4
Qty/40HQ	36	27	22	18	12	26	22	15	13	8



FLOOR STANDING SHOWCASE REFRIGERATOR



- Anti-condensation, energy saving and better visual effect
- Improved air cooling system ensuring effective air circulation
- Equipped with both baked castors and adjustable feet
- Automatic defrost function ensuring the evaporator working perfectly
- Automatic vaporizing the defrost water with the heat of discharge pipe of compressor
- Hang type ventilation grill, easy to remove for regular maintenance
- Patented semi frequency conversion technique, using electronic expansion valve with own control system, could adjust the parameter to reach to the optimal working performance automatically and save 30% energy consumption



Warm white or cool white LED lights illumination, perfectly displaying food, avoiding glaring



High quality imported compressor and fan motor, energy saving, lower noise, and longer lifetime



Smart precise digital controller with large LCD display



Improved door track and imported high quality bearing, easily using for sliding doors, smoothly and lower noise



Independent electric board cooling system could be taken out easily for replacement or maintenance





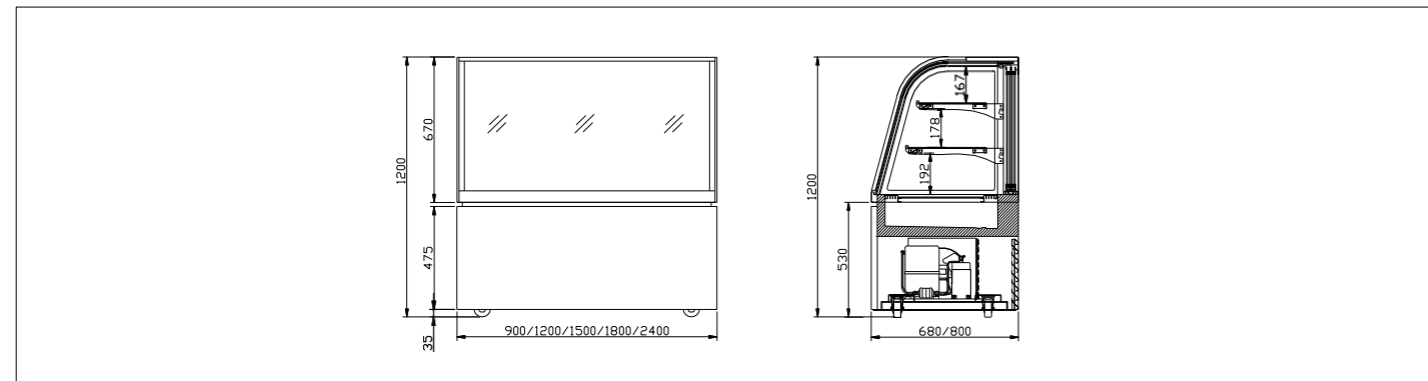
FLOOR STANDING SHOWCASE REFRIGERATOR

TECHNICAL DATA

Model ^o	NR730A	NR740A	NR750A	NR7@0A	NR780A	NR830A	NR840A	NR850A	NR8@0A	NR880A
Temp Range	2°C~ 8°C									
Capacity(L)	230	310	390	470	630	350	470	595	715	965
Rating Power	990	1090	1170	1240	1288	990	1090	1170	1240	1288
Climate Class	4/5/7									
External Dimension (mm)										
Width	900	1200	1500	1800	2400	900	1200	1500	1800	2400
Depth	680					800				
Height	1200					1200				
Packing Size (mm)										
Width	990	1285	1585	1885	2485	985	1285	1585	1885	2485
Depth	765					885				
Height	1330					1330				
Weight (kgs)										
Net Weight	163	200	236	270	314	183	220	260	293	330
Gross Weight	193	234	279	319	364	216	260	307	345	392
Shelves	3									
Refrigerant										
Type	R134a				R404a	R134a				R404a
Door Opening Direction	Back sliding door									
Shipping										
Qty/20GP	17	12	10	9	6	12	10	7	6	4
Qty/40HQ	72	54	44	36	24	52	44	28	24	16

Optional Refrigerant: R290

heating tempered glass



FLOOR STANDING SHOWCASE REFRIGERATOR

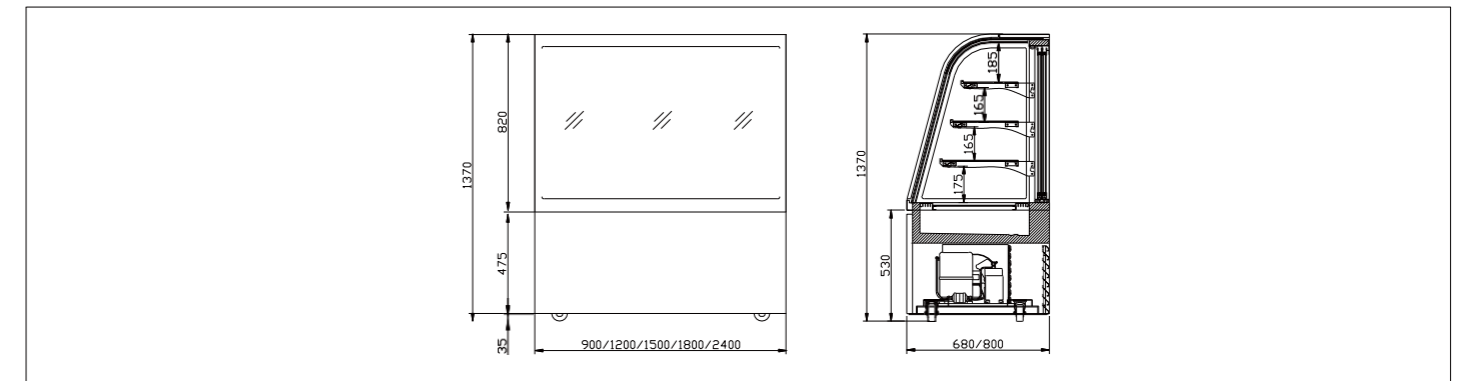
TECHNICAL DATA



Model	NSR730A	NSR740A	NSR750A	NSR7@0A	NSR780A	NSR830A	NSR840A	NSR850A	NSR8@0A	NSR880A
Temp Range	2°C~ 8°C									
Capacity(L)	280	380	480	580	770	360	480	610	730	990
Rating Power (W)	1030	1130	1210	1280	1328	1030	1130	1210	1280	1328
Climate Class	4/5/7									
External Dimension (mm)										
Width	900	1200	1500	1800	2400	900	1200	1500	1800	2400
Depth	680					800				
Height	1370					1370				
Packing Size (mm)										
Width	985	1285	1585	1885	2485	985	1285	1585	1885	2485
Depth	765					885				
Height	1500					1500				
Weight (kgs)										
Net Weight	186	206	220	300	336	203	250	284	332	363
Gross Weight	219	266	290	375	415	247	294	344	406	430
Shelves	4									
Refrigerant										
Type	R134a				R404a	R134a				R404a
Door Opening Direction	Back sliding door									
Shipping										
Qty/20GP	17	12	10	9	6	12	10	7	6	4
Qty/40HQ	36	27	22	18	12	26	22	14	12	8

Optional Refrigerant: R290

t ITO heating tempered glass 玻





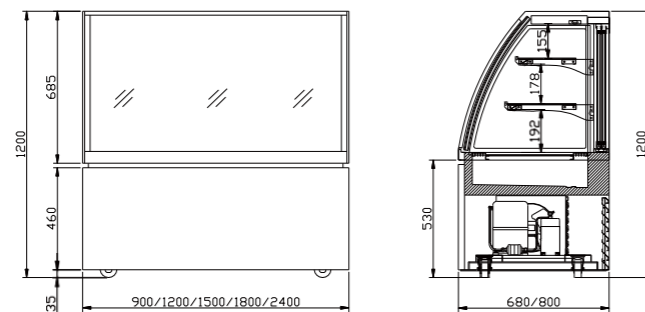
FLOOR STANDING SHOWCASE REFRIGERATOR

TECHNICAL DATA



Model	NK730A	NK740A	NK750A	NK7@0A	NK780A	NK830A	NK840A	NK850A	NK8@0A	NK880A
Temp Range	2°C~ 8°C									
Capacity(L)	220	300	370	450	610	280	380	480	580	770
Rating Power (W)	975	1055	1120	1239	1288	975	1055	1120	1239	1288
Climate Class	4/5/7									
External Dimension (mm)										
Width	900	1200	1500	1800	2400	900	1200	1500	1800	2400
Depth	680					800				
Height	1200					1200				
Packing Size (mm)										
Width	985	1285	1585	1885	2485	985	1285	1585	1885	2485
Depth	765					885				
Height	1330					1330				
Weight (kgs)										
Net Weight	163	200	236	270	314	183	220	260	293	330
Gross Weight	193	234	279	319	364	216	260	307	345	392
Shelves	3									
Refrigerant										
Type	R134a			R404a	R134a			R404a		
Door Opening Direction	Back sliding door (front doors for options)									
Shipping										
Qty/20GP	17	12	10	9	6	12	10	7	6	4
Qty/40HQ	72	54	44	36	24	52	44	28	24	16

Optional Refrigerant: R290



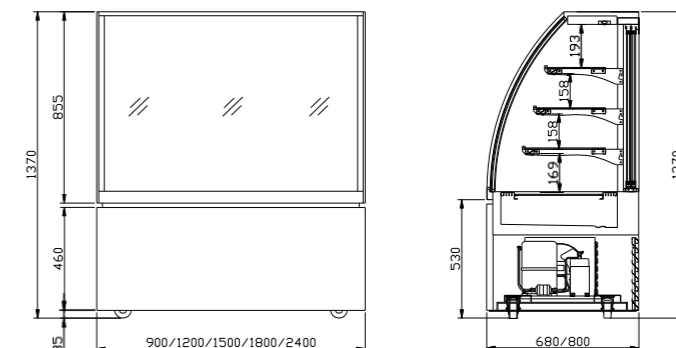
FLOOR STANDING SHOWCASE REFRIGERATOR

TECHNICAL DATA



Model	NSK730A	NSK740A	NSK750A	NSK7@0A	NSK780A	NSK830A	NSK840A	NSK850A	NSK8@0A	NSK880A
Temp Range	2°C~ 8°C									
Capacity(L)	300	400	510	610	820	370	510	640	770	1030
Rating Power (W)	995	1085	1155	1220	1288	995	1085	1155	1220	1288
Climate Class	4/5/7									
External Dimension (mm)										
Width	900	1200	1500	1800	2400	900	1200	1500	1800	2400
Depth	680					800				
Height	1370					1370				
Packing Size (mm)										
Width	985	1285	1585	1885	2485	985	1285	1585	1885	2485
Depth	765					885				
Height	1500					1500				
Weight (kgs)										
Net Weight	186	226	263	300	336	208	250	290	324	363
Gross Weight	219	266	310	351	400	244	294	340	379	430
Shelves	4									
Refrigerant										
Type	R134a			R404a	R134a			R404a		
Door Opening Direction	Back sliding door (front doors for options)									
Shipping										
Qty/20GP	17	12	10	9	6	12	10	7	6	4
Qty/40HQ	36	27	22	18	12	26	22	14	12	8

Optional Refrigerant: R290





FLOOR STANDING SHOWCASE REFRIGERATOR

TECHNICAL DATA

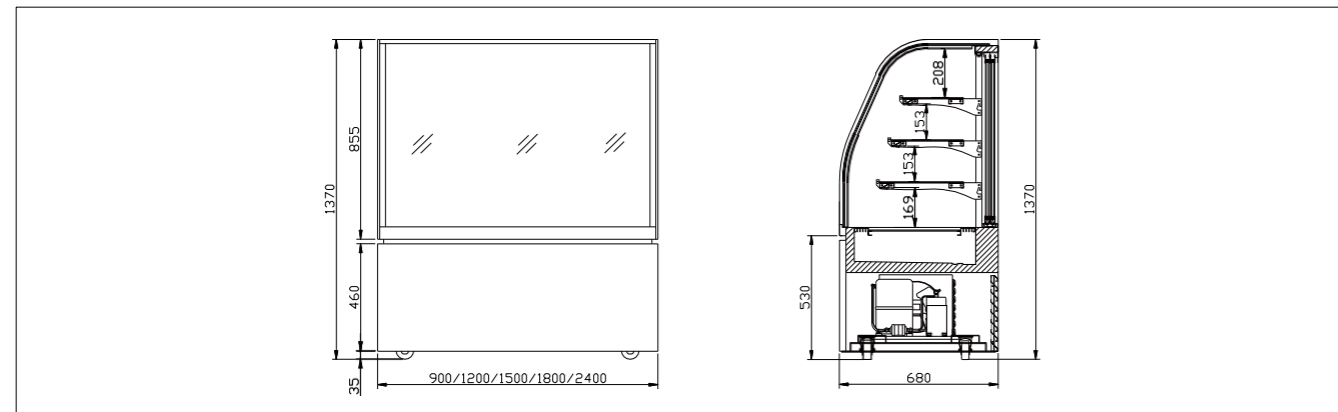


Model	NSG730A	NSG740A	NSG750A	NSG7@0A	NSG780A
Temp Range	2°C~ 8°C				
Capacity(L)	300	410	520	630	840
Rating Power (W)	1030	1130	1210	1280	1427
Climate Class	4/5/7				
External Dimension (mm)					
Width	900	1200	1500	1800	2400
Depth	680				
Height	1370				
Packing Size (mm)					
Width	985	1285	1585	1885	2485
Depth	765				
Height	1500				
Weight (kgs)					
Net Weight	200	240	278	315	350
Gross Weight	230	275	315	360	410
Shelves	4				
Refrigerant					
Type	R134a			R404a	
Door Opening Direction	Back sliding door				
Shipping					
Qty/20GP	17	12	10	9	6
Qty/40HQ	36	27	22	18	12

Optional Refrigerant: R290



ITO heating tempered glass



FLOOR STANDING SHOWCASE REFRIGERATOR

TECHNICAL DATA

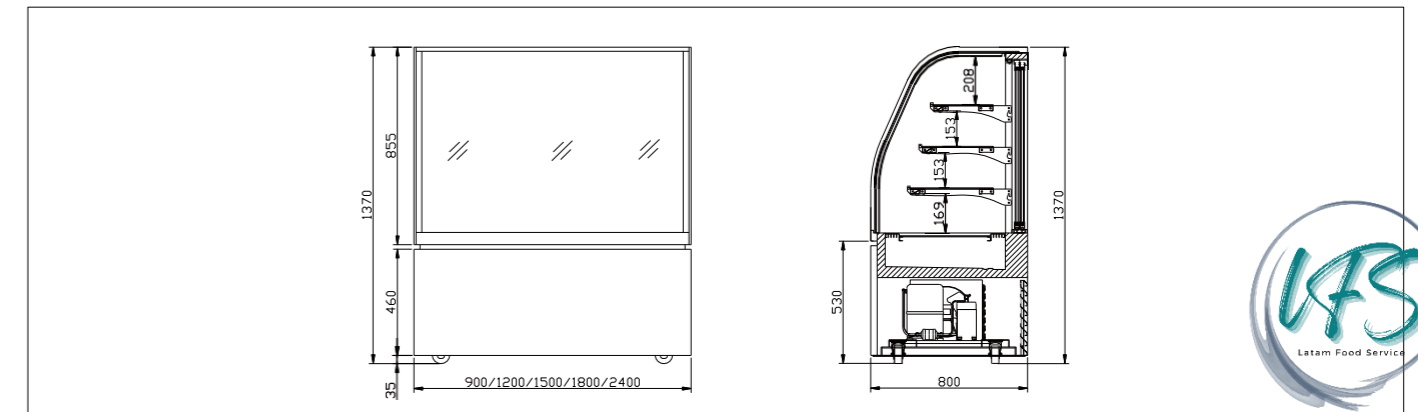


Model	NSG830A	NSG840A	NSG850A	NSG8@0A	NSG880A
Temp Range	2°C~ 8°C				
Capacity(L)	380	520	650	790	1060
Rating Power (W)	1030	1130	1210	1280	1427
Climate Class	4/5/7				
External Dimension (mm)					
Width	900	1200	1500	1800	2400
Depth	800				
Height	1370				
Packing Size (mm)					
Width	985	1285	1585	1885	2485
Depth	885				
Height	1500				
Weight (kgs)					
Net Weight	218	260	300	334	373
Gross Weight	250	294	340	382	433
Shelves	4				
Refrigerant					
Type	R134a			R404a	
Door Opening Direction	Back sliding door				
Shipping					
Qty/20GP	12	10	7	6	4
Qty/40HQ	26	22	14	13	8

Optional Refrigerant: R290



ITO heating tempered glass





SHOWCASE REFRIGERATOR WITH DRAWER



P720VT1



P740VT2



E850VT2



Warm white or cool white LED lights illumination, perfectly displaying food, avoiding glaring



High quality imported compressor and fan motor, energy saving, lower noise, and longer lifetime



Smart precise digital controller with large LCD display

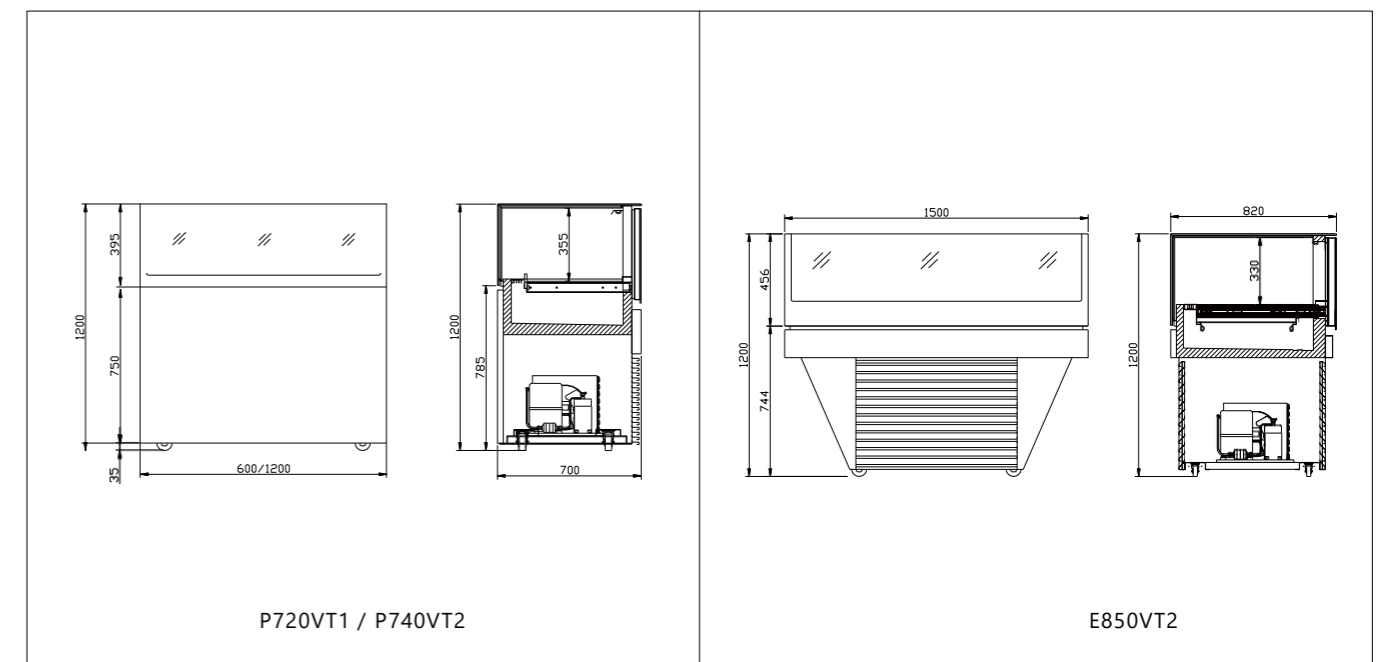


Independent electric board cooling system could be taken out easily for replacement or maintenance

TECHNICAL DATA



Model	P720VT1	P740VT2	E850VT2
Temp Range	2°C~ 8°C		
Capacity(L)	97	194	360
Rating Power (W)	796	1037	830
Climate Class	4/5/7		
External Dimension (mm)			
Width	600	1200	1500
Depth	700		820
Height	1200		
Packing Size (mm)			
Width	685	1285	1585
Depth	785		905
Height	1330		
Weight (kgs)			
Net Weight	119	200	222
Gross Weight	149	238	262
Drawer			
Quantity	1	2	2
Refrigerant			
Type	R290		R134a
Door Opening Direction			
Back drawer			
Shipping			
Qty/20GP	23	11	7
Qty/40HQ	49	24	14





GELATO SHOWCASE



ICE-100



ICE-120



Warm white or cool white LED lights illumination, perfectly displaying food, avoiding glaring



High quality imported compressor and fan motor, energy saving, lower noise, and longer lifetime



Smart precise digital controller with large LCD display



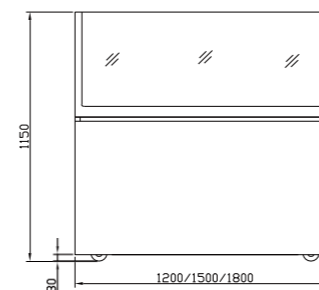
Improved door track and imported high quality bearing, easily using for sliding doors, smoothly and lower noise



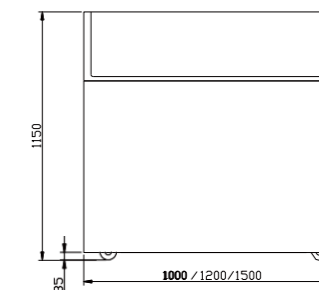
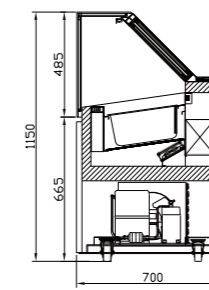
Independent electric board cooling system could be taken out easily for replacement or maintenance

TECHNICAL DATA

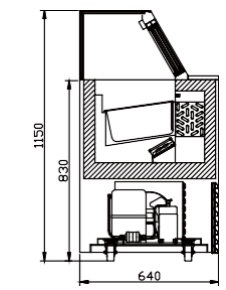
Model	PCE-120-G	PCE-150-G	PCE-180-G	ICE-100	ICE-120
Temp Range	-18°C~ 22°C				
Capacity(L)	52	60	77	43	52
Rating Power (W)	866	978	1118	930	970
Climate Class	A / 5 / 7				
External Dimension (mm)					
Width	1200	1500	1800	1000	1200
Depth	700			640	
Height	1150			1150	
Packing Size (mm)					
Width	1285	1585	1885	1085	1285
Depth	785			725	
Height	1330			1330	
Weight (kgs)					
Net Weight	178	202	230	146	176
Gross Weight	211	265	292	186	209
Display Tray 1/3 GN pan					
Quantity	6	7	9	5	6
Door Opening Direction	Back sliding door				
Refrigerant					
Type	R290	R404A			
Shipping					
Qty/20GP	11	7	7	16	12
Qty/40HQ	24	15	15	34	26



PCE-120-G / PCE-150-G / PCE-180-G



ICE-100 / ICE-120





COUNTERTOP SHOWCASE REFRIGERATOR & WARMER



- Environment-friendly CFC-free Refrigerant R134a or R290
- Voltage and frequency upon request
- Automatic defrosting ensures the evaporator working to its optimum performance
- Warmer or refrigerator upon request



Double glazed safety glass with heater inside is suitable for all climates anti condensation



High quality imported compressor, energy saving, lower noise, and longer lifetime



Smart precise digital controller with large LCD display



Forced air cooling system ensures effective air circulation



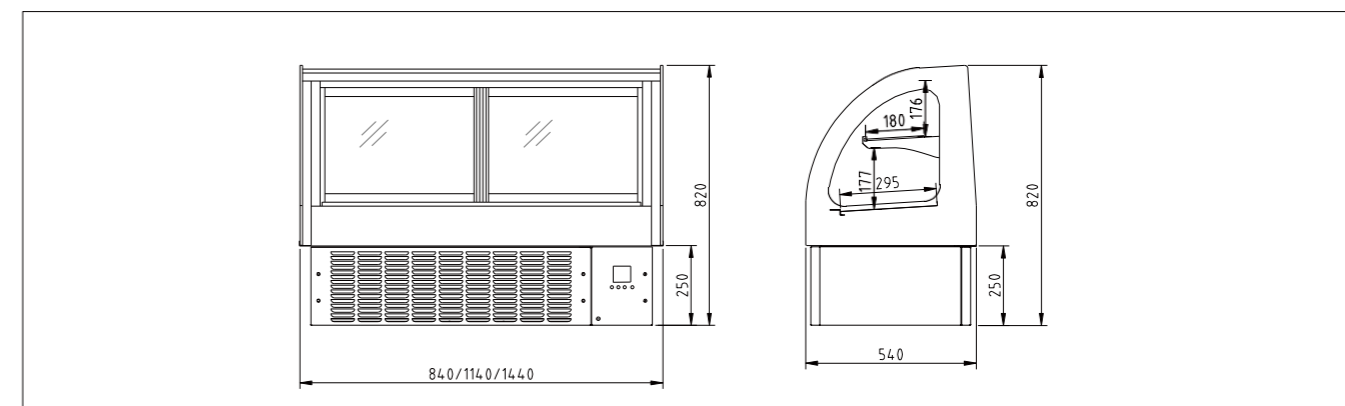
Automatic defrosting ensures the evaporator working to its optimum performance. Automatically vaporizing the defrosted water



COUNTERTOP SHOWCASE REFRIGERATOR & WARMER

TECHNICAL DATA

Model	NM530A	NM540A	NM550A	H-NM530A	H-NM540A	H-NM550A
Temp Range	2°C~ 8°C			65°C		
Capacity(L)	128	173	218	128	173	218
Rating Power (W)	560	640	710	757	797	837
Climate Class	4/5/7					
External Dimension (mm)						
Width	840	1140	1440	840	1140	1440
Depth	540					
Height	820					
Packing Size (mm)						
Width	950	1250	1550	950	1250	1550
Depth	645					
Height	1045					
Weight (kgs)						
Net Weight	93	106	123	68	89	107
Gross Weight	124	125	145	85	107	128
Shelves						
Quantity	2					
Door Opening Direction	Back sliding doors					
Shelf Material	Stainless Steel			Wire shelf		
Refrigerant						
Type	R290	R290	R290	/	/	/
Shipping						
Qty/20GP	48	34	26	48	34	26
Qty/40HQ	96	72	58	96	72	58

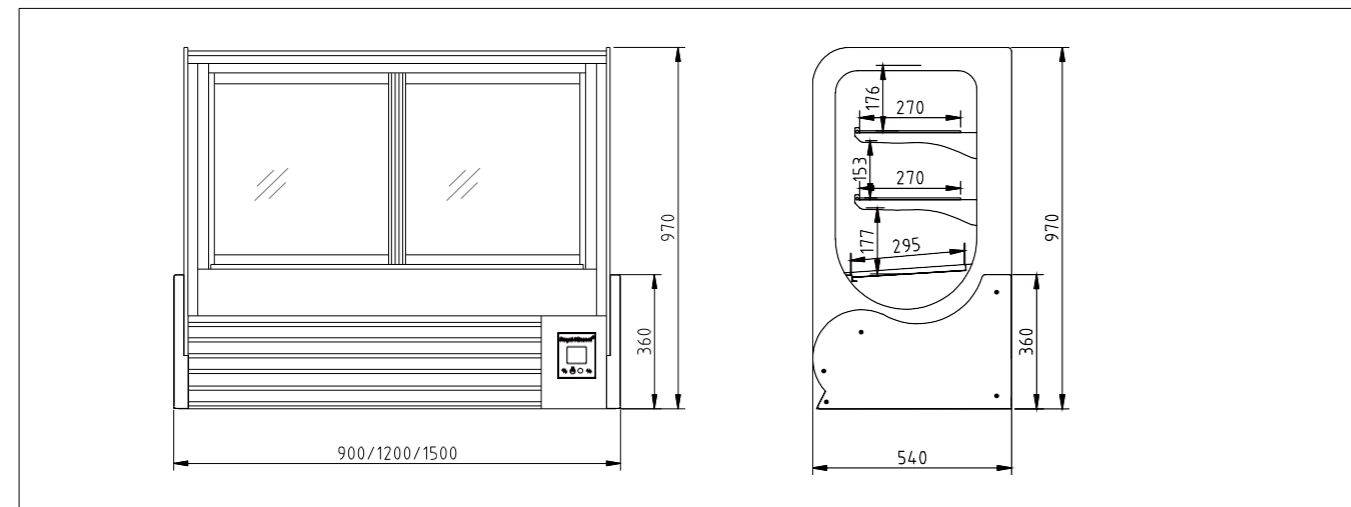




COUNTERTOP SHOWCASE REFRIGERATOR & WARMER

TECHNICAL DATA

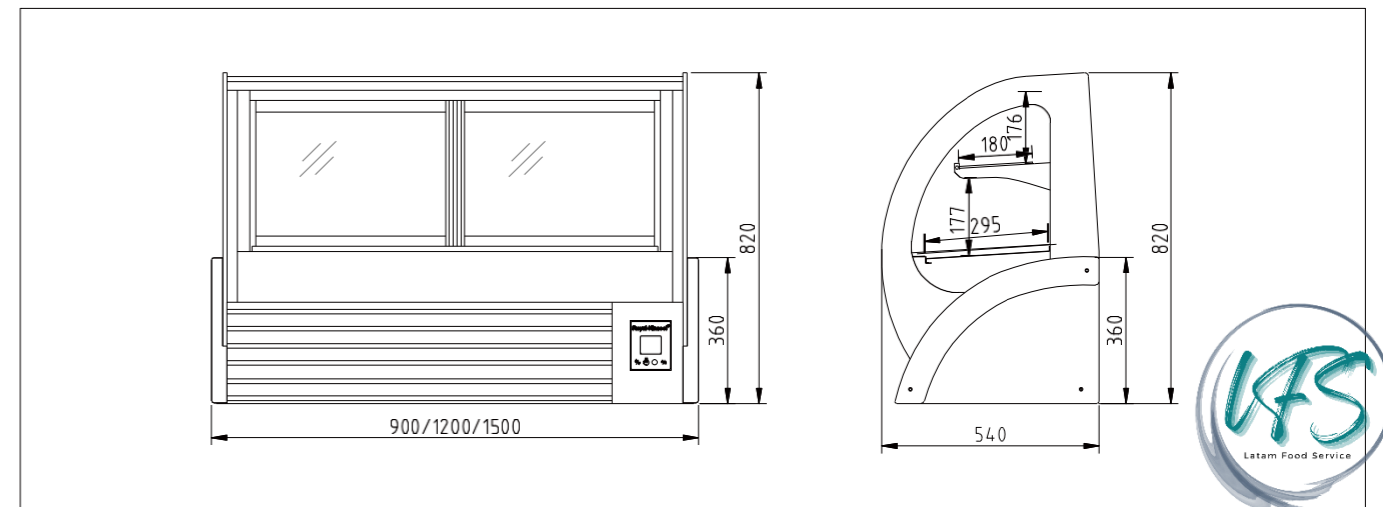
Model	NGA530V	NGA540V	NGA550V	H-NGA530V	H-NGA540V	H-NGA550V
Temp Range	2°C~ 8°C			65°C		
Capacity(L)	192	260	330	190	260	330
Rating Power (W)	527	673	716	814	874	934
Climate Class	4/5/7					
External Dimension (mm)						
Width	900	1200	1500	900	1200	1500
Depth	540					
Height	970					
Packing Size (mm)						
Width	985	1285	1585	985	1285	1585
Depth	625					
Height	1120					
Weight (kgs)						
Net Weight	126	134	158	98	126	154
Gross Weight	159	198	236	121	152	179
Shelves						
Quantity	3					
Door Opening Direction	Back sliding doors (front doors for options)					
Shelf Material	Stainless Steel			Wire shelf		
Refrigerant						
Type	R290	R290	R290	/	/	/
Shipping						
Qty/20GP	48	34	26	48	34	26
Qty/40HQ	96	72	58	96	72	58



COUNTERTOP SHOWCASE REFRIGERATOR & WARMER

TECHNICAL DATA

Model	NS530A	NS540A	NS550A	H-NS530A	H-NS540A	H-NS550A
Temp Range	2°C~ 8°C			65°C		
Capacity(L)	115	155	200	115	155	200
Rating Power (W)	424	529	634	757	797	837
Climate Class	4/5/7					
External Dimension (mm)						
Width	900	1200	1500	900	1200	1500
Depth	540					
Height	820					
Packing Size (mm)						
Width	985	1285	1585	985	1285	1585
Depth	625					
Height	970					
Weight (kgs)						
Net Weight	105	125	145	85	105	125
Gross Weight	120	145	165	100	125	145
Shelves						
Quantity	2					
Door Opening Direction	Back sliding doors (front doors for options)					
Shelf Material	Stainless Steel			Wire shelf		
Refrigerant						
Type	R290	R290	R290	/	/	/
Shipping						
Qty/20GP	48	34	26	48	34	26
Qty/40HQ	96	72	58	96	72	58





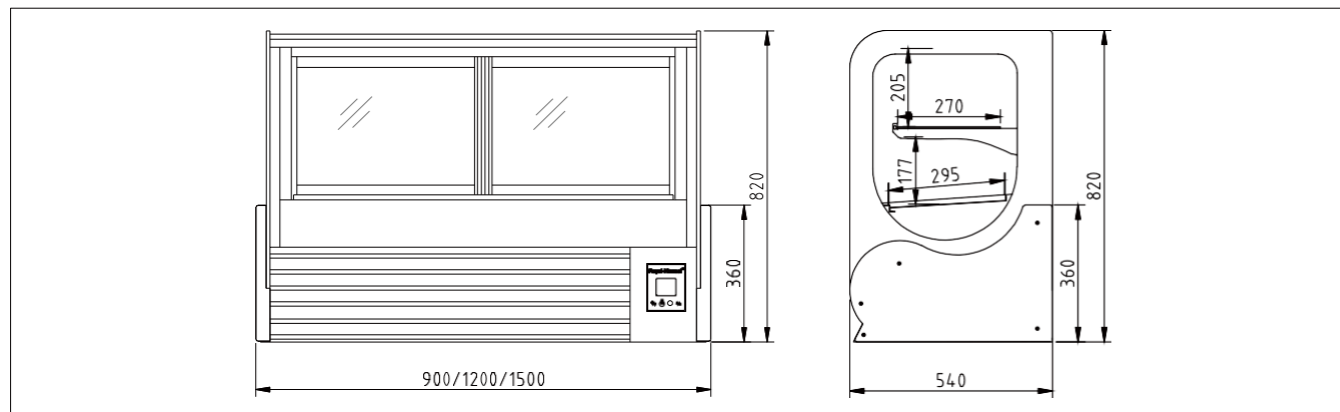
COUNTERTOP SHOWCASE REFRIGERATOR & WARMER



TECHNICAL DATA

Model	NA530V	NA540V	NA550V	H-NA530V	H-NA540V	H-NA550V
Temp Range	2°C~ 8°C			65°C		
Capacity(L)	140	190	240	140	190	240
Rating Power (W)	439	544	649	757	797	837
Climate Class	4/5/7					
External Dimension (mm)						
Width	900	1200	1500	900	1200	1500
Depth	540					
Height	820					
Packing Size (mm)						
Width	985	1285	1585	985	1285	1585
Depth	625					
Height	970					
Weight (kgs)						
Net Weight	112	132	155	90	110	130
Gross Weight	129	150	172	109	130	152
Shelves						
Quantity	2					
Door Opening Direction	back sliding doors					
Shelf Material	Stainless Steel			Wire shelf		
Refrigerant						
Type	R290	R290	R290	/	/	/
Shipping						
Qty/20GP	48	34	26	48	34	26
Qty/40HQ	96	72	58	96	72	58

WIREFRAMES ☒ ☒ ☒





COUNTERTOP SHOWCASE FREEZER



TECHNICAL DATA

Model ^o	F-A530V	F-A540V	F-A550V
Temp Range	-12°C~ 18°C		
Capacity (L)	140	190	240
Rating Power (W)	375	623	676
Climate Class	4		
External Dimension (mm)			
Width	900	1200	1500
Depth	540		
Height	790		
Packing Size (mm)			
Width	985	1285	1585
Depth	625		
Height	980		
Weight (kgs)			
Net Weight	108	130	152
Gross Weight	125	151	177
PC pan PC			
Quantity	4	5	7
Size	325*179*100	325*179*100	325*179*100
Refrigerant			
Type	R404a	R404a	R404a
Door Opening Direction	Back sliding door		
Shipping			
Qty/20GP	48	34	26
Qty/40HQ	96	72	58

R404a | R290

Environment-friendly CFC-free Refrigerant R404a or R290



High quality imported compressor, energy saving, lower noise, and longer lifetime



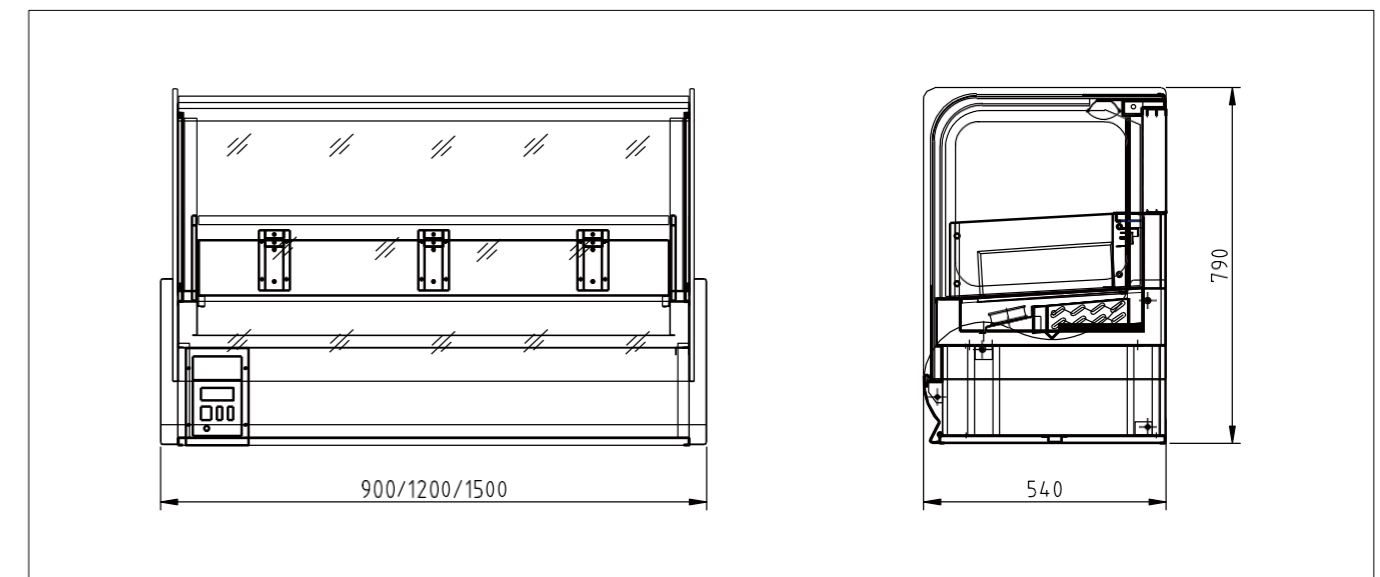
Smart precise digital controller with large LCD display



Forced air cooling system ensures effective air circulation

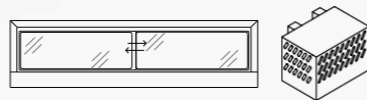


Hot gas defrost system ensures the evaporator working to its optimum performance. Automatically vaporizing the defrosted water





SUSHI BAR COLLECTION



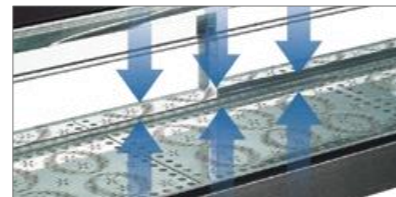
Remote condensation unit, external drainage is required



Warm white or cool white LED lights illumination, perfectly displaying food, avoiding glaring



45° joint for top and front glass, good visual effect



Both copper pipe on the top and bottom, cooling fast and evenly



High quality imported compressor, energy saving, lower noise, and longer lifetime



Removable stainless steel shel, feasy to clean

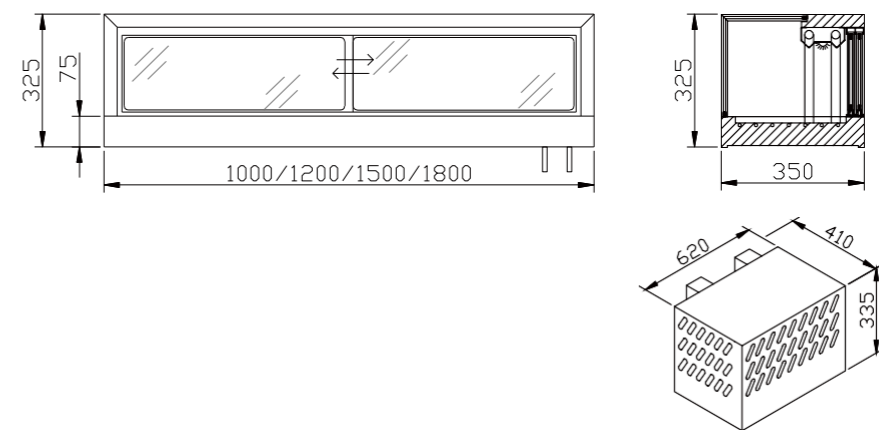


Smart precise digital controller with large LCD display and cabinet temperature display. Separated high quality metal light switch



TECHNICAL DATA

Model	SUSHI-R100	SUSHI-R120	SUSHI-R150	SUSHI-R180
Temp Range	4°C~ 8°C			
Capacity (L)	50	60	75	90
Rating Power (W)	366	425	433	441
Climate Class	3			
External Dimension (mm)				
Width	1000	1200	1500	1800
Depth	350			
Height	325			
Packing Size (mm)				
Width	1050+690	1250+690	1550+690	1850+690
Depth	450+480			
Height	600+620			
Weight (kgs)				
Net Weight	36+27	44+27	64+27	74+27
Gross Weight	56+45	71+45	88+45	106+45
Refrigerant				
Type	R134a			
Shipping				
Qty/20GP	45	42	36	30
Qty/40HQ	96	84	75	66



**Hotel
Restaurant
Catering Equipment**



CONTACT US:

Customer Service

+1(786) 5847439

Sales team:

+1(786) 8602528

WEB SITE:

www.lfsusa.store

Email:

sales@lfsusa.store

**WHOLESALE- SWF-2
LFSUSA.STORE**