



GLASS DOOR REACH-IN FREEZERS

CONTACT US:

Customer Service:
+1 (786) 5847439

Sales Team:
+1 (786) 8602528

Email:
sales@lfsusa.store

www.lfsusa.store



Migali

COMPETITOR SERIES®

PROJECT: _____
 LOCATION: _____
 ITEM#: _____
 QUANTITY: _____



C-1FG-HC



C-2FG-HC

GLASS DOOR REACH-IN FREEZERS

- Beautiful ergonomic construction & rounded corners
- Digital temperature controller & read-out
- All stainless steel exterior and interior
- Forced air refrigeration system
- Recessed door handles
- Glass doors with LED interior lighting
- Door locks
- 90 degree hold open door feature for loading products
- Top mount compressor for enhanced efficiency
- Pre-installed casters and shelving
- Auto-defrost
- Air plenum across back wall for even temperature distribution throughout cabinet interior
- All Natural R290 Hydrocarbon Refrigerant
- US Department of Energy Certified
- Air Pressure Relief Valve for ease of opening doors
- Migali® Protection Plan: 2 Year Parts & Labor Warranty, 5 Years Compressor Warranty

MODEL	DOORS	CAPACITY CU/FT	SHELVES	H/P	AMPS	VOLTAGE	ENERGY CONSUMPTION KWH/24 HR	PLUG TYPE	TEMP RANGE	EXTERIOR DIMENSIONS W X D X H*	INTERIOR DIMENSIONS W X D X H	PACKAGED DIMENSIONS W X D X H	WEIGHT	PACKAGED WEIGHT
C-1FG-HC	1	21.4	3	1/2	6.3	115/60/1	3.7	Nema 5-15P	-10° F (-) 0° F	28.8 x 31.5 x 81.25	24 x 26.1 x 60.2	30 x 34 x 85	236 lbs.	269 lbs.
C-2FG-HC	2	43.2	6	3/4+	8.6	115/60/1	6.2	Nema 5-15P	-10° F (-) 0° F	51.75 x 31.5 x 81.25	47 x 26.1 x 60.2	53 x 35 x 85	353 lbs.	404 lbs.

* Total height includes casters

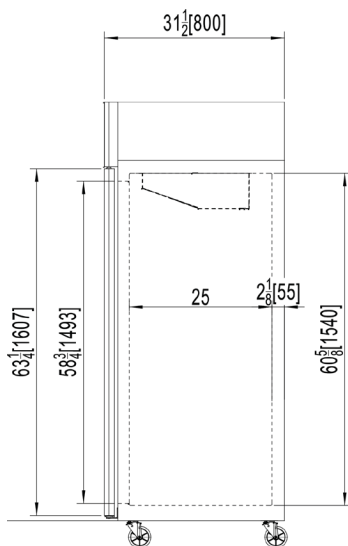
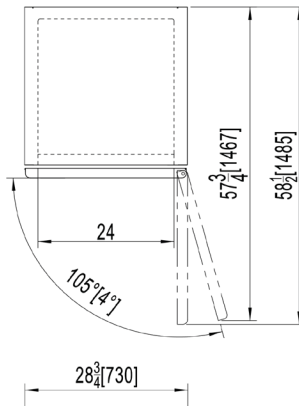
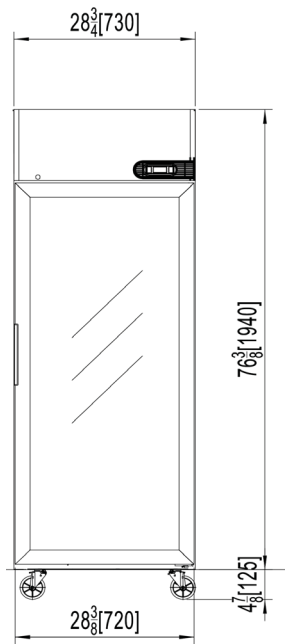
FOR COMMERCIAL USE ONLY

NOTE: MIGALI® RESERVES THE RIGHT TO CHANGE SPECIFICATIONS WITHOUT NOTICE

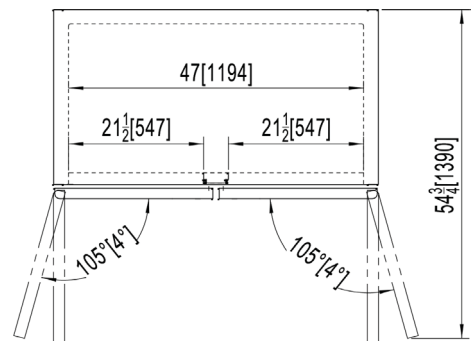
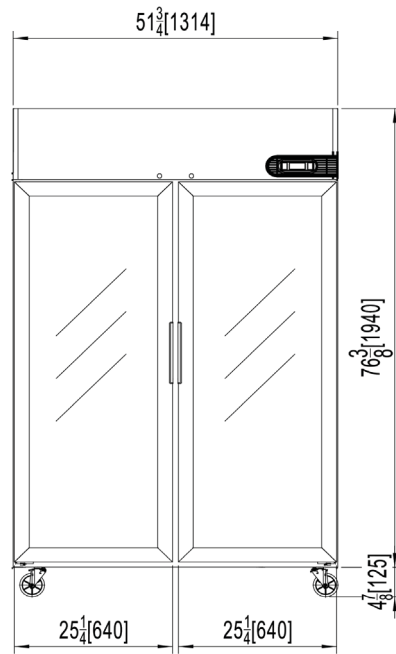


DIMENSIONAL DRAWINGS

C-1FG-HC



C-2FG-HC



SIDE VIEW (1 & 2) DOOR MODELS



MIGALI® REMAINS AN AMERICAN FAMILY COMPANY SINCE 1955



CONTACT US:

Customer Service:
+1 (786) 5847439

Sales Team:
+1 (786) 8602528

Email:
sales@lfsusa.store

www.lfsusa.store